

3DXTECH[®]
Additive Manufacturing

Gearbox™ FD1

Material Drying System

FD1 Features

Dry the most difficult materials – including Nylon, Ultem™ PEI, and PEEK. Drying temperatures up to 150°C are no problem for the FD1.

Simple and intuitive display that is easy to use with a responsive touch screen HMI.

Adjustable rack to ensure a variety of options for multiple reel sizes – from 500g to 10kg. Includes a shelf locking feature that prevents shelves from tipping.

Innovative seal prevents heat lost and prolongs heating elements' life once the door is closed.

FD1 has integrated overheat protection to prevent filament damage and ensure equipment longevity



www.3dxtech.com

info@3dxtech.com

Technical Specifications

Product Number
Chamber Volume
Temperature Range
Temperature Uniformity
Heat-up Time
Timer

Voltage
Frequency
Current Draw
Electrical Plug Type
Power Consumption

Internal Volume
Internal Dimensions

External Dimensions

Net Weight
Stackable
Manufacturing Location

Gearbox™ FD1

FD1
1.8ft³ / 50L
Room Temp (RT) to 150°C
± 3°C
30 Minutes From RT to 100°C
00:01 - 99:59 (hh:mm)

120V
60Hz
10 Amps
NEMA 5-15
1100 W

0.051 Cubic Meters (1.8 Cubic Feet)

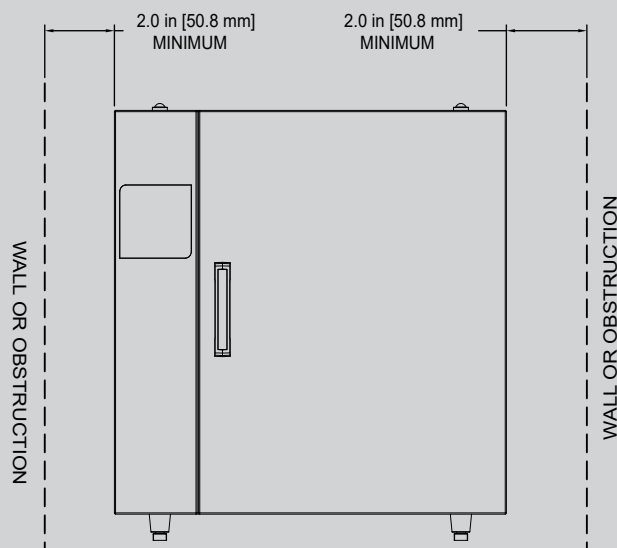
40.1 x 41.4 x 31cm
(15.8 x 16.3 x 12.2in)

69.1 x 64 x 56.1cm
(27.2 x 25.2 x 22.1in)

51kg (112.4lbs)

Stackable with Gearbox™ FM1/FD1
Grand Rapids, MI [USA]

**FRONT
VIEW**



**SIDE
VIEW**

